

SPA-9K-100M-50 Solid State Power Amplifier

(9kHz - 100MHz, 50W)

Key Features

- Multi-octave broadband performance
- High output power
- Wide dynamic range
- High-efficiency GaN technology
- Low power consumption
- Low spurious signal
- Forward/reverse power monitoring
- Extremely load-resistant
- Over voltage, over temperature, over current protection
- Optional overdrive protection
- CE, RoHS certification



Overview

Saluk SPA-9K-100M-50 is a solid-state RF power amplifier with an output frequency of 9kHz to 100MHz and an output power of 50W. Its design is based on the most advanced LDMOS technology in the industry, and its power output is efficient and reliable. It is mainly used for testing and measuring instruments, Communication or interference, aviation control and other fields. The product has functions such as temperature and current detection, alarm protection and so on.

Technical Specifications

SPA-9K-100M-50			
Frequency Range	9kHz - 100MHz	Adjustable Gain	20dB (max.)
Psat	50W (min.)	Input Power	0dBm (max.)
P1dB	800W (min.)	Harmonic	-10dBc (typ.)
Gain	47dB (min.)	Spurious	-60dBc (max.)
Gain Flatness	± 4dB (max.)	Input VSWR	2.0:1 (max.)

No.367, Fuxing N. Rd.,105 Taipei,Taiwan Tel: +886. 909 602 109

sales@salukitec.com www.salukitec.com

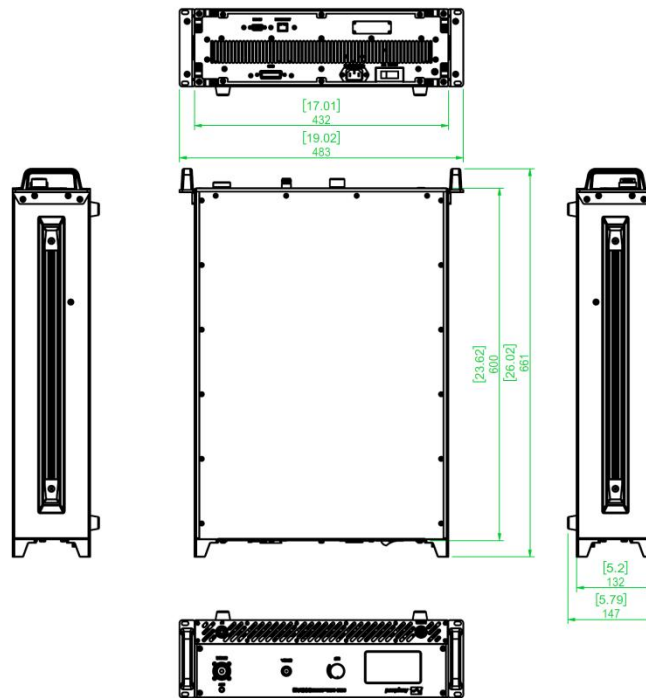


SPA-9K-100M-50 Solid State Power Amplifier

(9kHz - 100MHz, 50W)

VSWR Protection	5:1	Impedance	50 ohm
Input Port	N-F, front panel	Output Port	N-F, front panel
Monitoring Port	RS485, LAN	Cooling Type	Air cooling
Communication Interface	LAN	Power Supply	AC 220V±10%, 50/60Hz
Dimension	19", 3U	Operating Temperature	0 - 50°C

Outline Structure



Options

001	Forward/reverse power monitoring
002	Input power detection
003	GPIO interface

Note: Information will conduct the necessary updates, the contents of this document are subject to change without notice.

No.367, Fuxing N. Rd.,105 Taipei,Taiwan Tel: +886. 909 602 109

sales@salukitec.com www.salukitec.com

