

SPA-2-8-500 Solid State Power Amplifier

(2GHz - 8GHz, 500w)

Key Features

- Multi-octave broadband performance
- High output power
- Wide dynamic range
- High-efficiency GaN technology
- Low power consumption
- Low spurious signal
- Forward/reverse power monitoring
- Extremely load-resistant
- Over voltage, over temperature, over current protector.
- Optional overdrive protection
- CE, RoHS certification



Overview

Saluki SPA-2-8-500 is a solid-state RF power amplifier with an output frequency of 2GHz to 8GHz and an output power of 500w. Its design is based on the most advanced GaN technology in the industry, and its power output is efficient and reliable. It is mainly used for testing and measuring instruments, Communication or interference, aviation control and other fields. The product has functions such as temperature and current detection, alarm protection and so on.

Technical Specifications

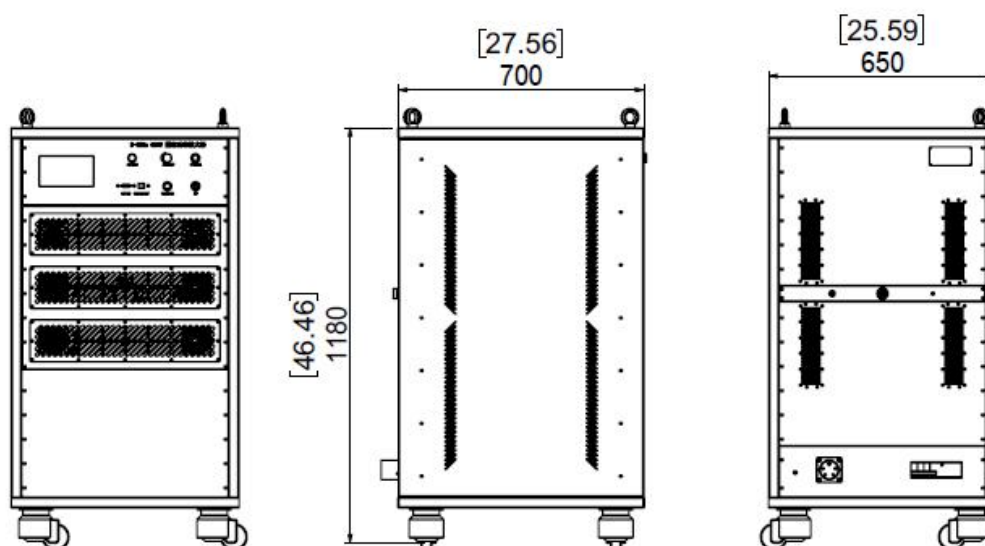
SPA-2-8-500			
Frequency Range	2GHz - 8GHz	Input Power	0dBm (max.)
Psat	500w (min.)	Harmonic	-15dBc (typ.)
Gain	57dB (min.)	Background Noise	-40dBm/MHz (max.)
Gain Flatness	± 4dB (max.)	Spurious	-60dBc (max.)
Adjustable Gain	20dB (max.)	Input VSWR	2:1 (typ.)
Impedance	50 ohm	VSWR Protection	4:1

SPA-2-8-500 Solid State Power Amplifier

(2GHz - 8GHz, 500w)

Input Port	N-F	Output Port	7/16
Monitoring Port	SMA (female)	Cooling Type	Air cooling
Communication Interface	RS485, LAN	Power Supply	AC 220V±10%, 50/60Hz
Dimension	19"1180*700*650	Operating Temperature	0 - 50°C

Outline Structure



Options

001	Forward/reverse power monitoring
001	Input power detection
002	GPIB interface

Note: Information will conduct the necessary updates, the contents of this document are subject to change without notice.