

SPA-0P6-6-60 Solid State Power Amplifier

(0.6GHz-6GHz, 60W)

Key Features

- Multi-octave broadband performance
- High output power
- Wide dynamic range
- High-efficiency GaN technology
- Low power consumption
- Low spurious signal
- Extremely load-resistant
- Built-in control, monitoring and protection circuits
- Over voltage, over temperature, overexcitation and over VSWR protection
- CE, RoHS certification



Overview

Saluki SPA-0P6-6-60 is a solid-state RF power amplifier with an output frequency of 0.6GHz to 6GHz and an output power of 60W. Its design is based on the most advanced GaN technology in the industry, and its power output is efficient and reliable. It is mainly used for testing and measuring instruments, communication or interference, aviation control and other fields. The product has functions such as temperature detection, current detection, alarm protection, etc.

Technical Specifications

SPA-0P6-6-60			
Frequency Range	0.6GHz-6GHz	Psat	60W (min.)
Small Signal Gain	53dB (min.)	Input Power	0dBm (max.)
Input Impedance	50	Harmonic	-15dBc (max.)
Spurious	-60dBc (max.)	Input VSWR	2:1 (max.)
Input Port	N-F, front panel	Output Port	N-F, front panel

Add: No.1-2 Section5, Zhongxiao East Rd, Xinyi District,Taipei,Taiwan.

Tel: +886. 909 602 109

Email: sales@salukitec.com

Web: www.salukitec.com



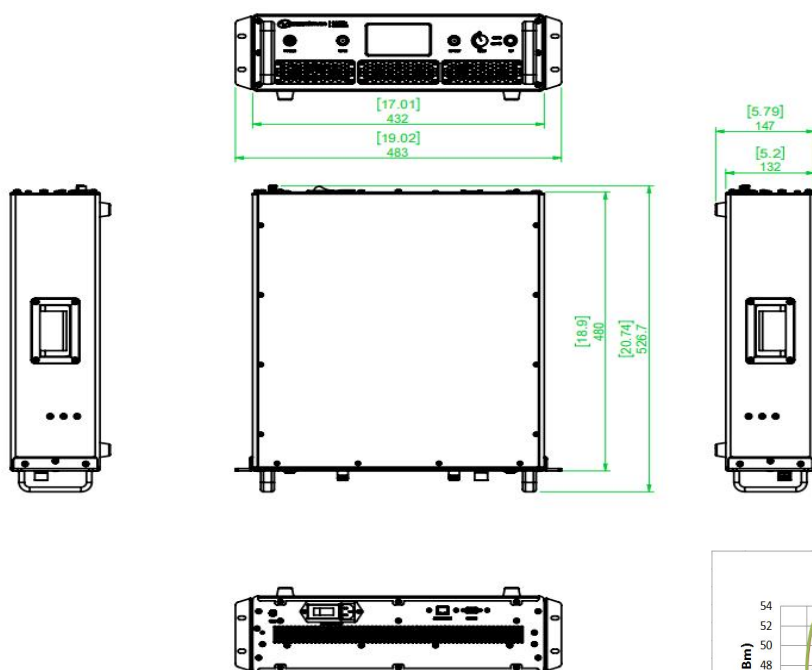
SPA-0P6-6-60 Solid State Power Amplifier

(0.6GHz-6GHz, 60W)

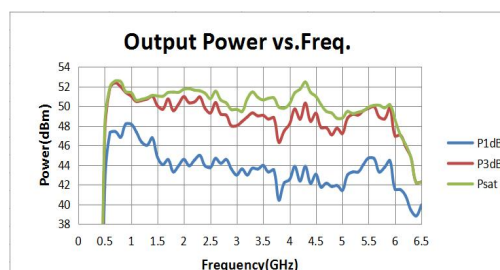
Operating Temperature	0 - 50°C	Cooling Type	Air cooling
Control Port	RS485, LAN	Power Supply	AC 220V±10%, 50/60Hz
Dimensions	3U	Small signal gain flatness	±4 dB (max.)
Small signal gain adjustable	20dB (max.)	1dB compression point output power	10W (min)
Noise Floor	-35dBm/MHz (max.)		

Outline Structure:

The following appearance and structure are for reference only. The specific dimensions are subject to the actual object.



Module No.	Item
001	Forward/reverse power monitoring
002	Input power detection
003	GPIO programmable interface



Note: Information will conduct the necessary updates, the contents of this document are subject to change without notice.

Add: No.1-2 Section5, Zhongxiao East Rd, Xinyi District, Taipei, Taiwan.

Tel: +886. 909 602 109

Email: sales@salukitec.com

Web: www.salukitec.com

