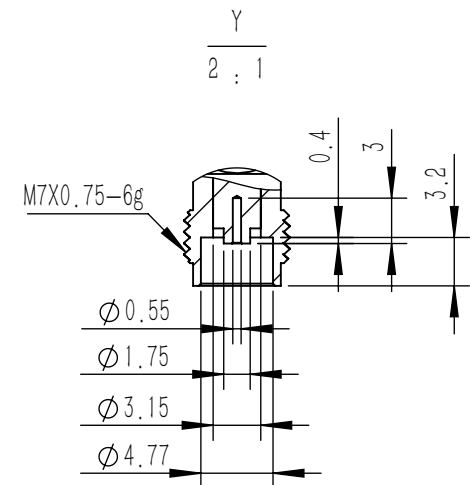
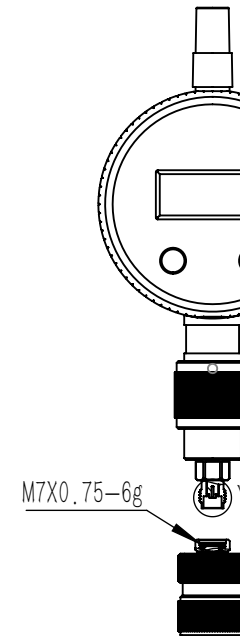
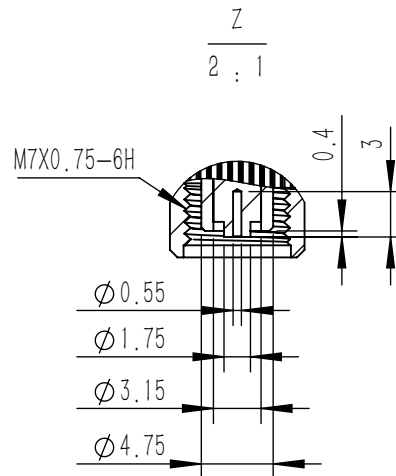
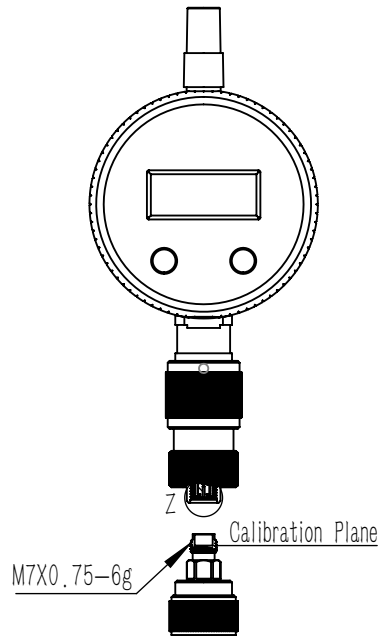


A

B

C

D



Outline Drawing

SALUKI TECHNOLOGY INC.



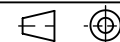
Tel/Fax: +886. 909 602 109  
 Address: No.1-2 Section 5, Zhongxiao  
 East Rd, Xinyi District, Taipei, Taiwan.  
 Sales&Quote: sales@salukitec.com  
 Technical Support: sales@salukitec.com  
 www.salukitec.com

TITLE

Connector Gage Kits

DWG NO.

SDK-68



UNIT mm

SIZE A4

SCALE 1:2

REV. B/0

SHEET 1/1

1

2

3

4

5

6